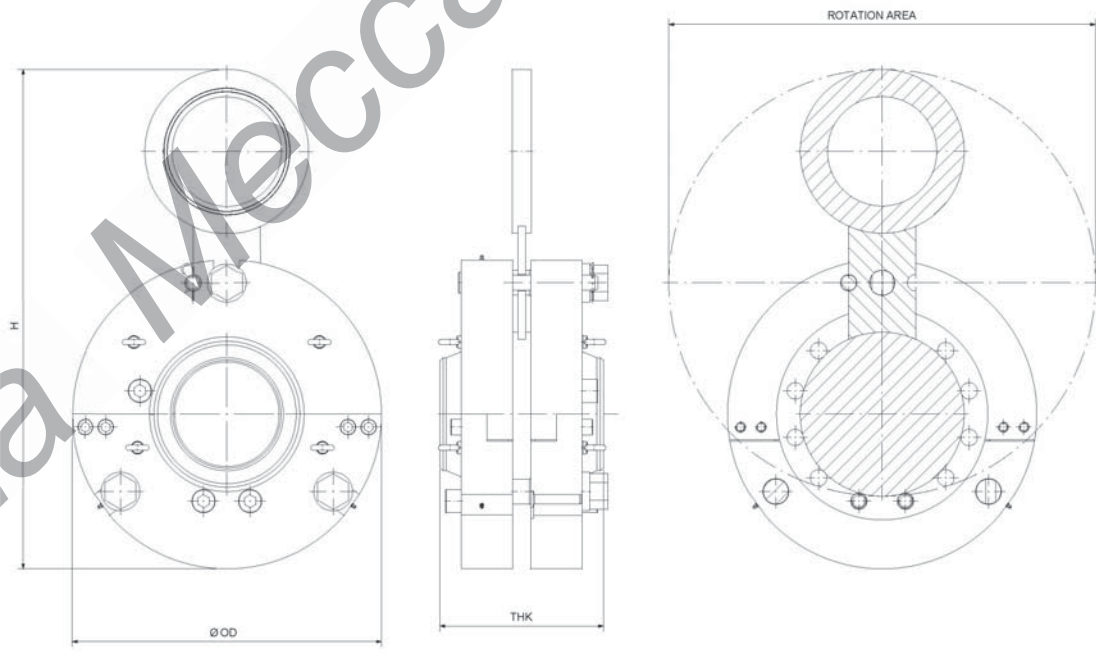
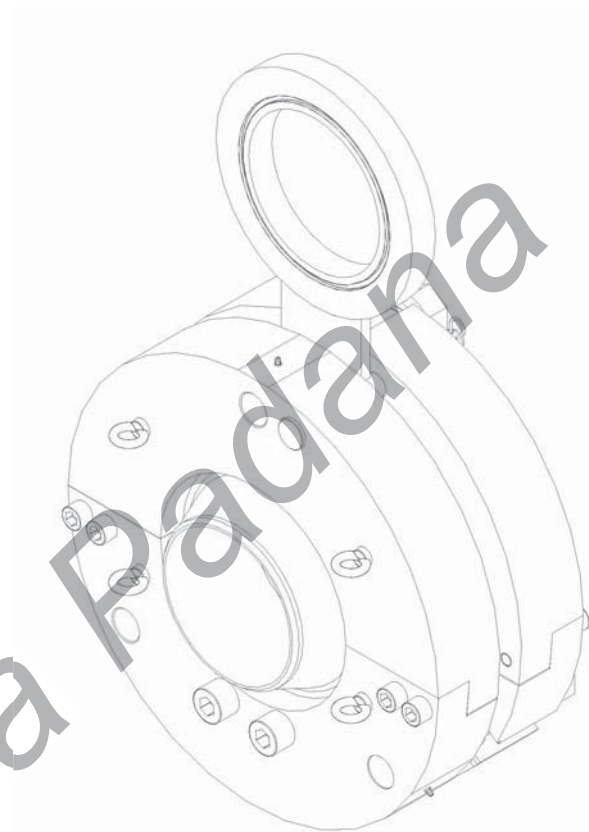


CLASS 150								
SIZE (IN)	No. of Bolts	Main dimension			WEIGHT (Kg)			
		OD (mm)	H (mm)	THK (mm)	SPECTACular Blind	Spectacle Blind	Flanges (q.ty2)	TOTAL Weight
2	2	250	380	100	30	1.5	5	36.5
3	2	310	475	110	49	2.2	10	61.2
4	3	360	570	116	63	3	14	80
6	3	420	670	116	80	6	22	108
8	3	530	840	140	140	10	36	186
10	3	600	970	140	185	17	48	250
12	3	665	1110	140	205	25	75	305

CLASS 300								
SIZE (IN)	No. of Bolts	Main dimension			WEIGHT (Kg)			
		OD (mm)	H (mm)	THK (mm)	SPECTACular Blind	Spectacle Blind	2 Flanges	TOTAL weight
2	2	280	420	115	42	1.5	8	51.5
3	2	315	495	115	50	2.5	14	66.5
4	3	390	575	150	95	5	23	123
6	3	465	750	150	115	10	39	164
8	3	580	915	180	220	22.5	60	302.5
10	3	630	1030	180	230	30	85	345
12	3	700	1170	195	275	45	124	444

CLASS 600								
SIZE (IN)	No. of Bolts	Main dimension			WEIGHT (Kg)			
		OD (mm)	H (mm)	THK (mm)	SPECTACular Blind	Spectacle Blind	2 Flanges	TOTAL weight
2	2	280	420	120	42	1.5	9	52.5
3	2	315	495	140	55	3	18	76
4	3	420	655	170	120	7	36	163
6	3	490	805	200	155	16	72	243
8	3	600	970	230	265	30	105	400
10	3	710	1170	270	430	56	170	656
12	3	790	1302	315	630	82	204	916


**NOTES:**

- 1) SPECTACular Blind is available in two solutions:
  - with O-Ring rubber gasket
  - standard Spiral wound gasket
- 2) Customer has to provide process data (type of fluid, min./max temperature, flow rate, design pressure)
- 3) Gaskets will be proposed in according to process data
- 4) SPECTACular Blind can be ordered as a retrofit kit to install on existing flanges or as a full kit including flanges.
- 5) Spectacle Blinds and Flanges can be made in all kinds of material