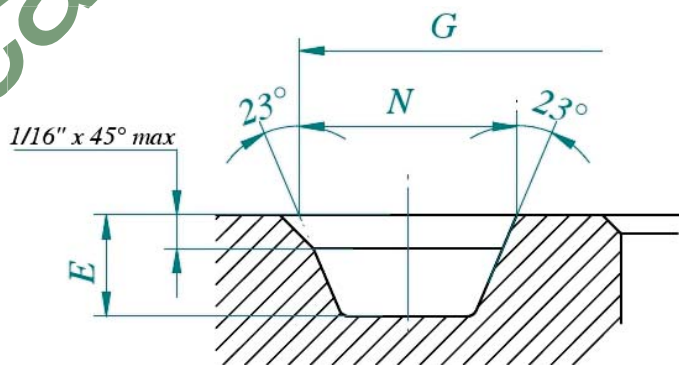
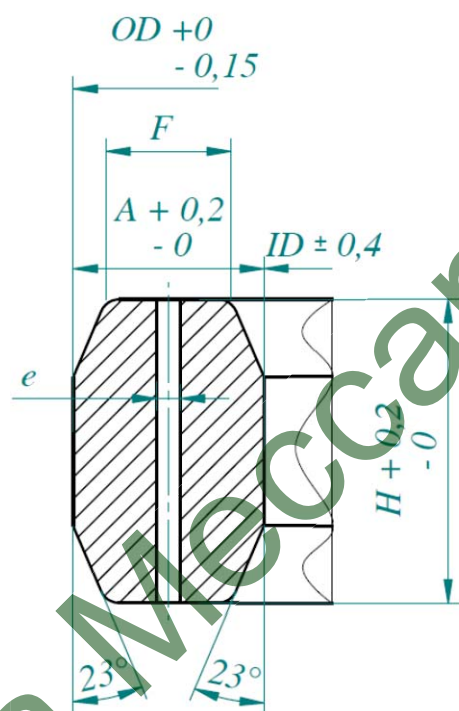


API type BX Ring-joint Gaskets

Ring No.	Outside diameter of ring	Height	Width of ring	Depth of groove			Outside diameter of groove	Width of groove
BX	OD	H	A	E	e	F	G	N
150	72.19	9.30	9.30	5.59	1.5	7.97	73.48	11.43
151	76.40	9.63	9.63	5.59	1.5	8.25	77.77	11.84
152	84.68	10.24	10.24	5.84	1.5	8.79	86.23	12.65
153	100.94	11.38	11.38	6.86	1.5	9.87	102.77	14.07
154	116.84	12.40	12.40	7.62	1.5	10.74	119.00	15.39
155	147.96	14.22	14.22	8.38	1.5	12.22	150.62	17.73
156	237.92	18.62	18.62	11.18	3.0	15.08	241.83	23.39
157	294.46	20.98	20.98	12.70	3.0	18.01	299.06	26.39
158	352.04	23.14	23.14	14.22	3.0	19.86	357.23	29.18
159	426.72	25.70	25.70	15.75	3.0	22.07	432.64	32.49
160	402.59	23.83	13.74	14.22	3.0	10.36	408.00	19.96
161	491.41	28.07	16.21	17.02	3.0	12.24	497.94	23.62
162	475.49	14.22	14.22	8.38	1.5	12.21	478.33	17.91
163	556.16	30.10	17.37	18.29	3.0	13.10	563.50	25.55
164	570.56	30.10	24.59	18.29	3.0	20.32	577.90	32.77
165	624.71	32.03	18.49	19.05	3.0	13.97	632.56	27.20
166	640.03	32.03	26.14	19.05	3.0	21.61	647.88	34.87
167	759.36	35.86	13.11	21.34	1.5	8.02	768.32	22.91
168	767.03	35.86	16.05	21.34	1.5	10.97	774.22	25.86
169	173.51	15.85	12.93	9.65	1.5	10.69	176.66	16.92
170	218.03	14.22	14.22	8.38	1.5	12.22	220.88	17.91
171	267.44	14.22	14.22	8.38	1.5	12.22	270.28	17.91
172	333.07	14.22	14.22	8.38	1.5	12.22	335.92	17.91
303	852.75	37.95	16.97	22.61	1.5	11.61	862.30	27.38


Notes:

- 1) Dimensions in mm.
- 2) Material as per purchase order.
- 3) Dimensions ANSI B16.20 and API Std 6A.