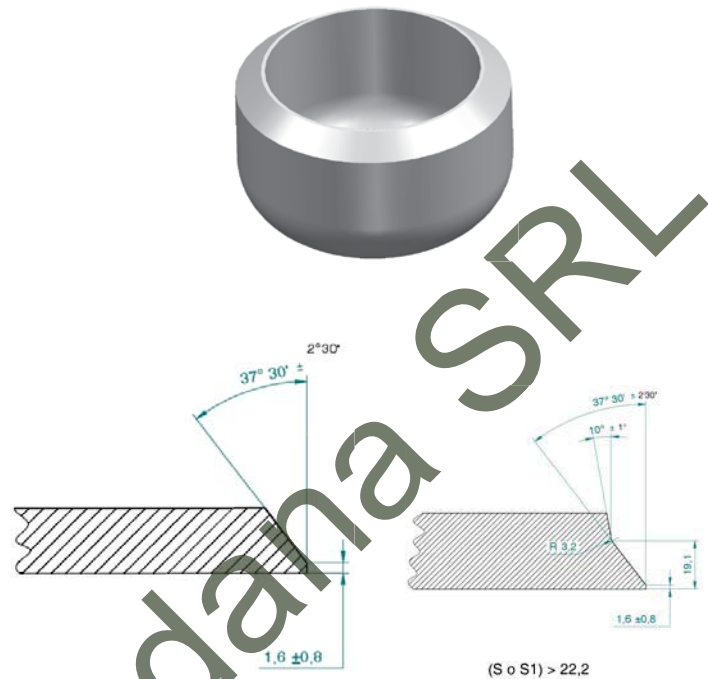
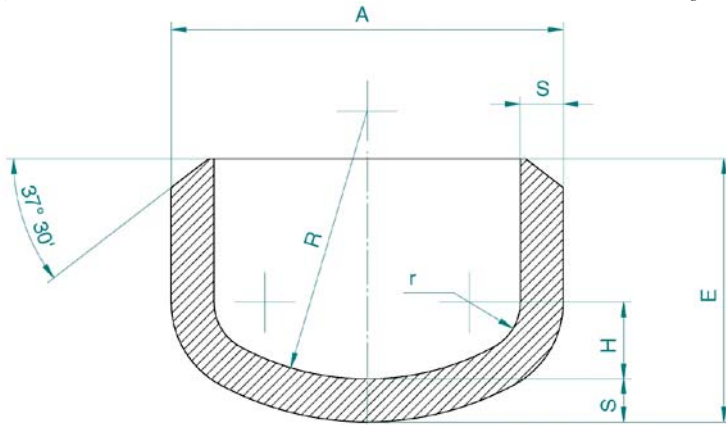


Ellipsoidal Caps STD-TB-HPU-5002 SH. 5 OF 29

DNP	A	E	S	S	S	S	Mass
			STD	XS	160	XXS	Kg.
2"	6.03	44.5	3.91	5.54	8.71	11.10	0.6
3"	88.9	63.5	5.49	7.62	11.10	15.20	1.8
4"	114.3	76.2	6.02	8.56	13.50	17.10	3.3
6"	168.3	101.6	7.11	11.00	18.20	21.90	8.5
8"	219.1	127.0	8.18	12.70	23.00	22.20	18.0
10"	273.0	152.4	9.27	12.70	28.60	-	33.0

- Notes:
- 1) Dimensions: ANSI B 16.9.
 - 2) Construction: seamless.
 - 3) Tolerances: ANSI B 16.9.
 - 4) Materials e tests: per spec. G510 and as specified in p.o.
 - 5) Dimensions in mm.
 - 6) $R = 0.875 DI$; $r = 1/6 DI$; $h = 0.25 DI$; $DI =$ inside diameter. The data shown are not binding.


Screwed Plug STD-TB-HPU-5002 SH. 17 OF 29

DNP	F	B	T	L	M	r	S	Mass
		+0.5 -0						Kg.
1/4"	10.5	6.0	2.0	26.5	40	1	9	0.05
1/2"	18.0	11.3	2.0	26.5	40	1	11	0.10
3/4"	22.0	14.7	2.5	31.5	45	1	17	0.10
1"	29.5	19.2	2.5	36.5	45	1	22	0.30
1.1/2"	43.5	30.5	4.0	41.5	55	2	32	0.70
2"	53.0	39.3	4.5	51.5	70	2	41	1.10
3"	79.0	58.4	5.5	66.5	85	2	60	3.30
4"	103.0	77.2	7.5	81.5	100	3	80	7.10
6"	152.0	116.4	11.0	106.5	140	5	115	19.40
8"	196.0	153.1	12.0	126.5	160	5	150	44.30
10"	241.0	190.0	14.5	146.5	180	5	150	69.30

- Notes:
- 1) Dimensions: as shown in table.
 - 2) Construction: forged.
 - 3) ANSI B 1.20.1.
 - 4) Materials e tests: ASTM A105.
 - 5) Dimensions in mm.
 - 6) Thread: ANSI B 1.20.1 NPSM.
 - 7) Design conditions: 292 bars at 80°C; 268 bars at 160°C; 221 bars at 250°C.

